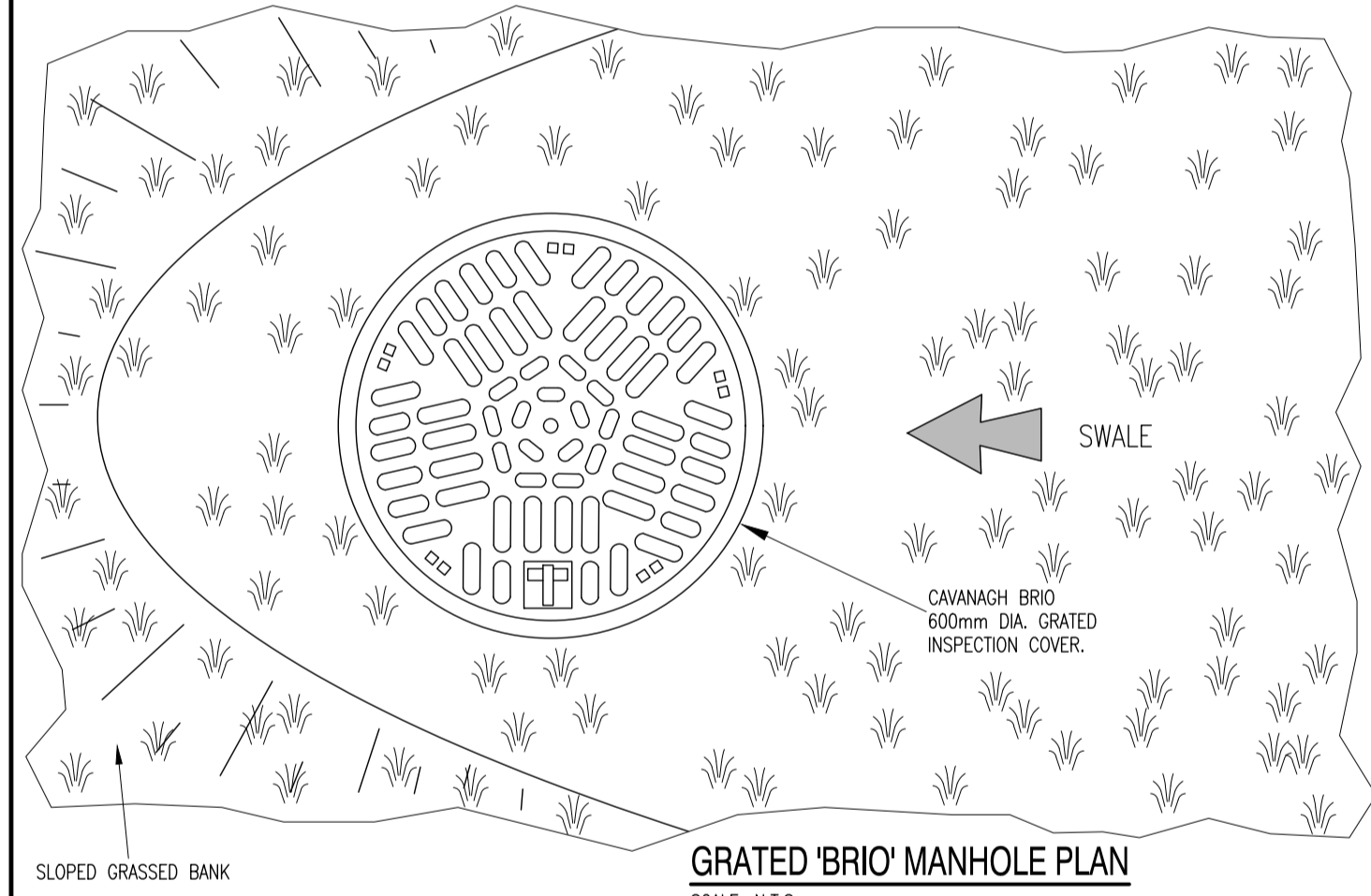
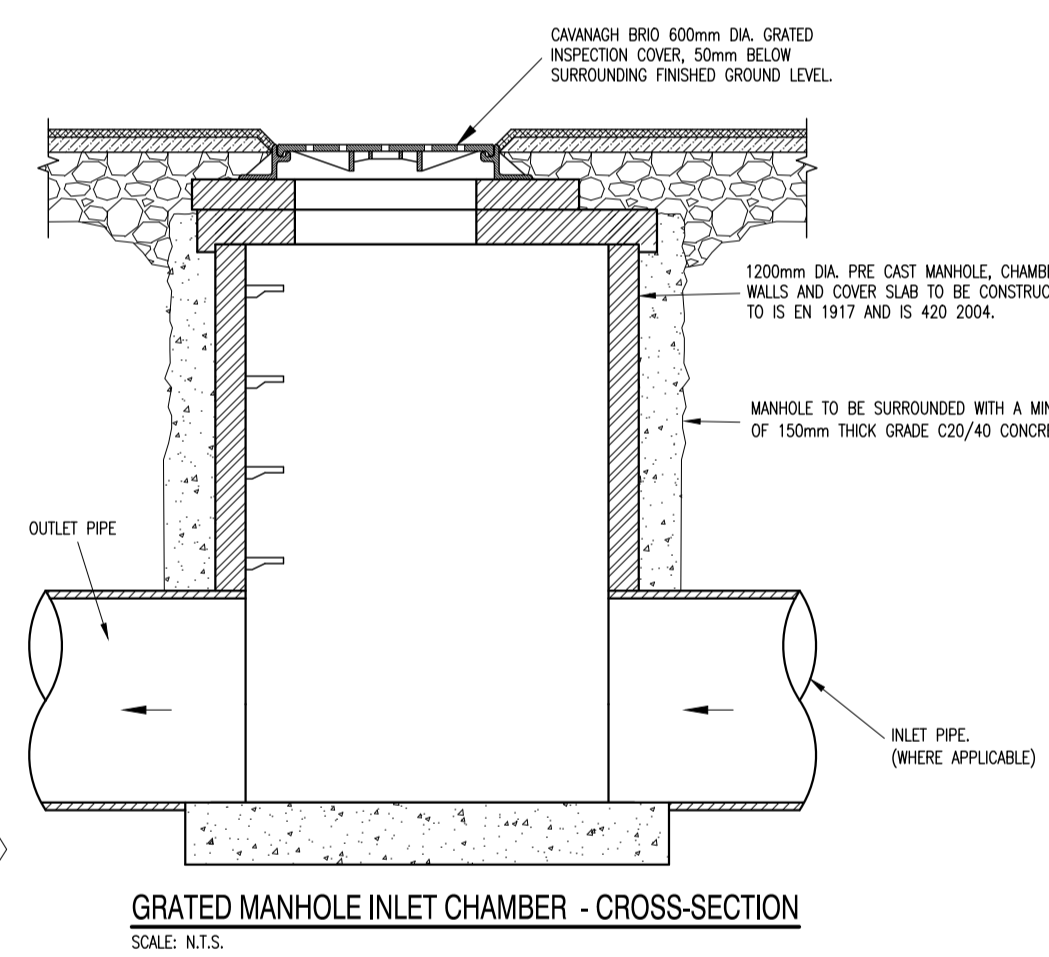


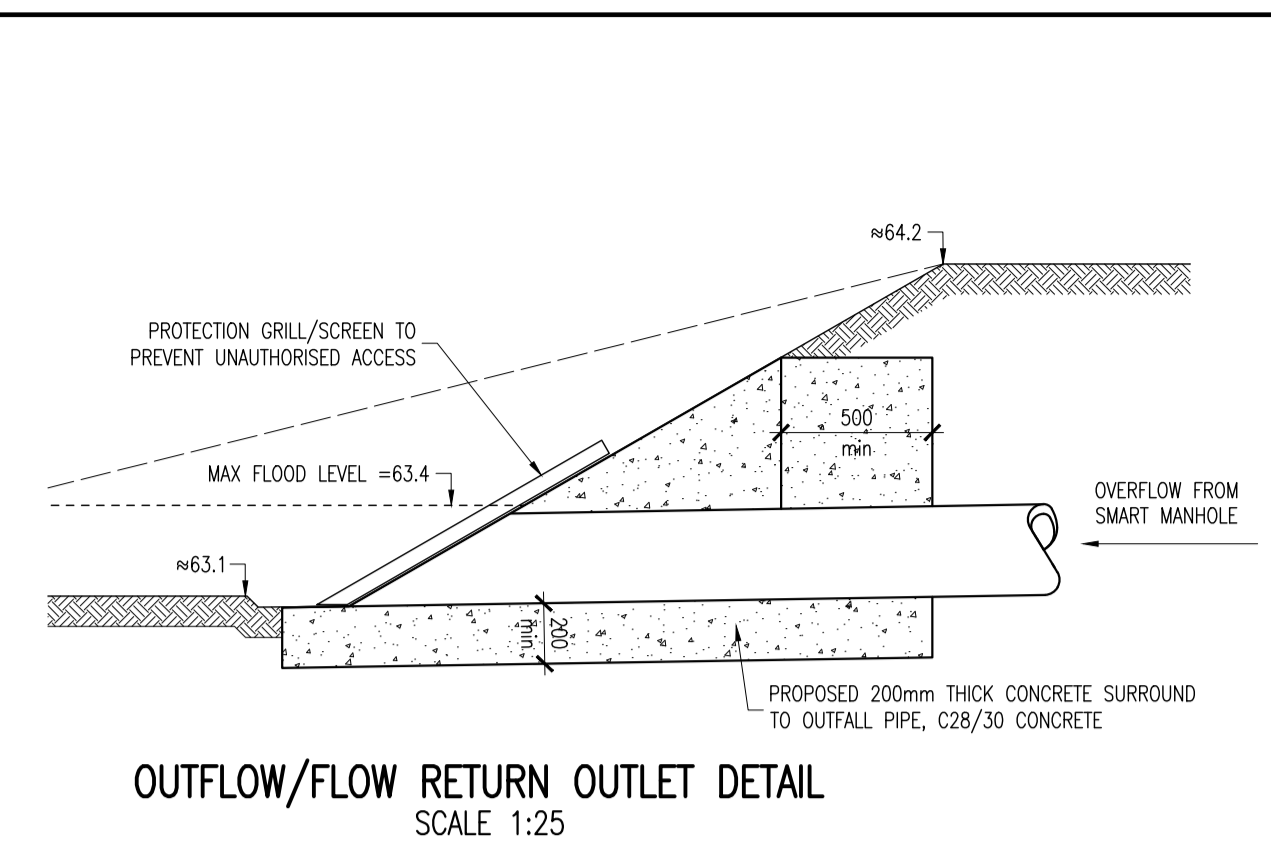
PLAN OF INFILTRATION BASIN (SCALE 1:500)



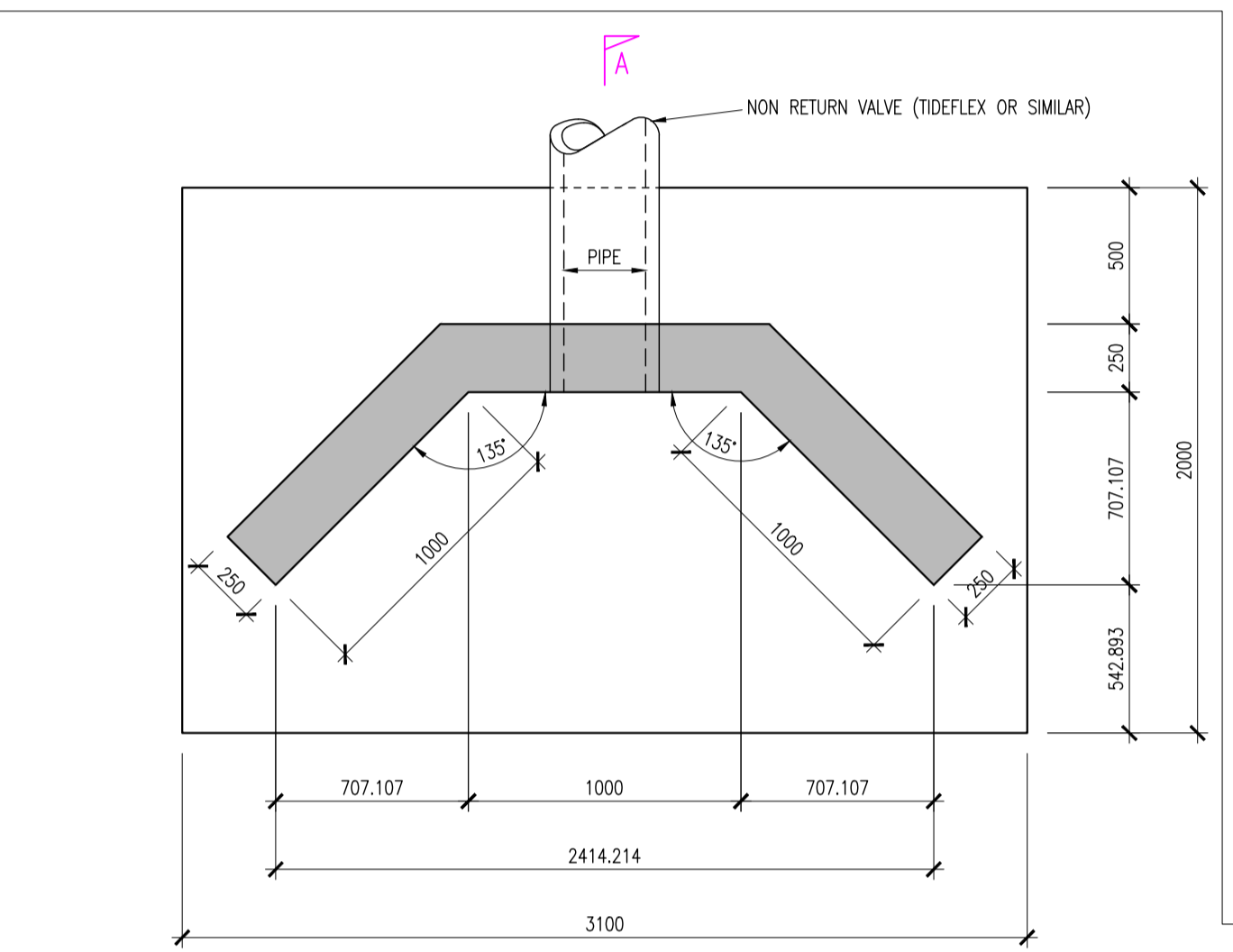
GRATED 'BRIO' MANHOLE PLAN
SCALE: N.T.S.



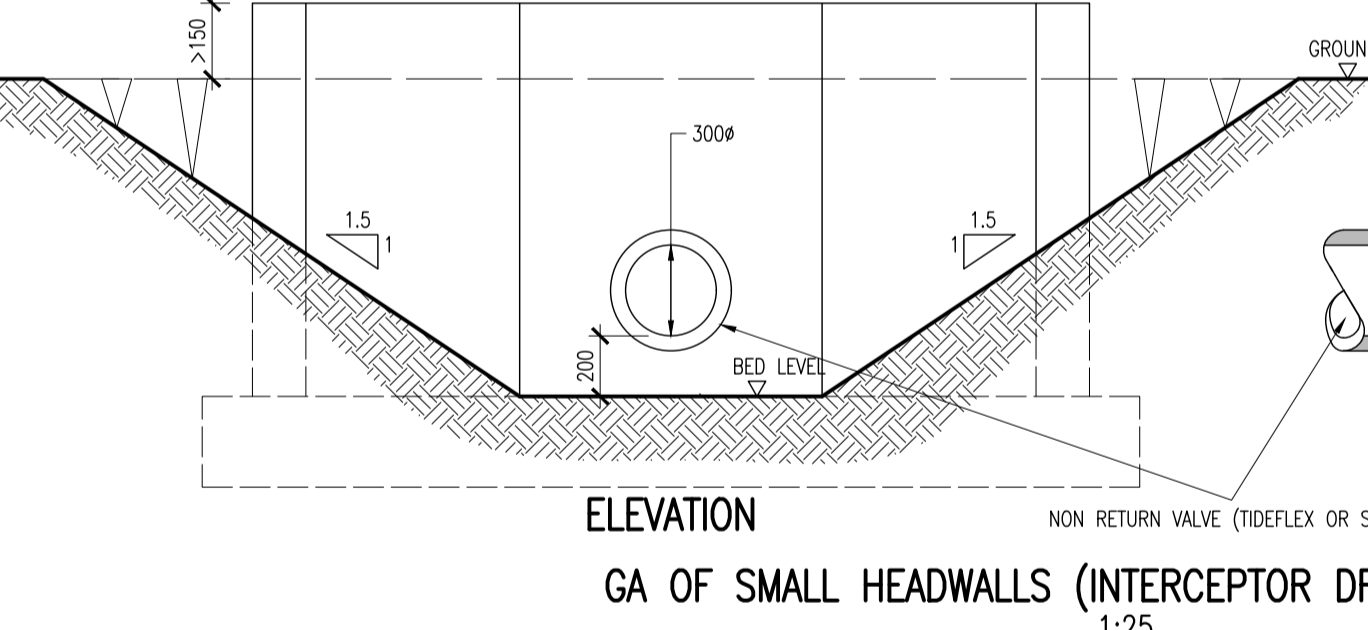
GRATED MANHOLE INLET CHAMBER - CROSS-SECTION
SCALE: N.T.S.



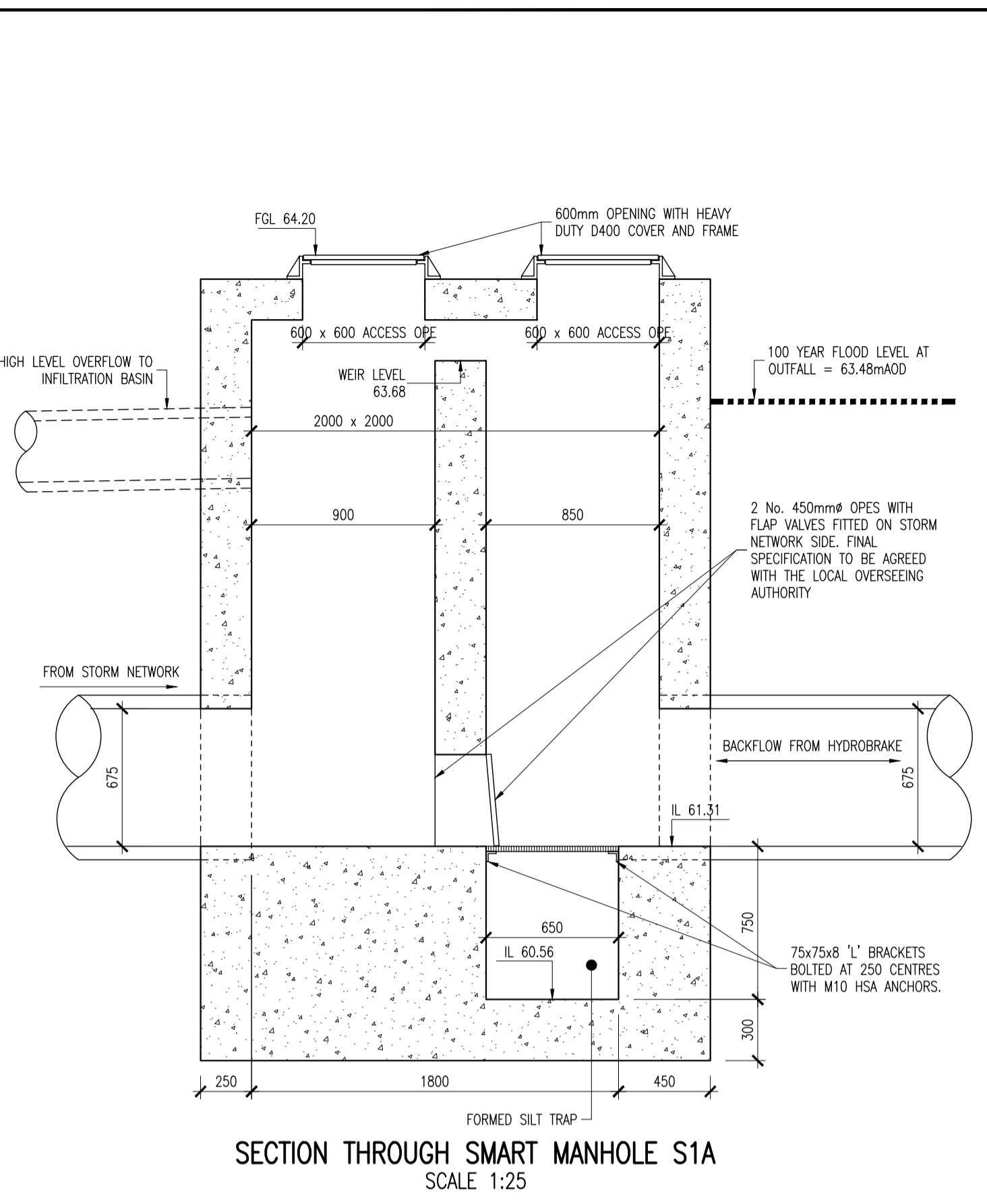
OUTFLOW/FLOW RETURN OUTLET DETAIL
SCALE 1:25



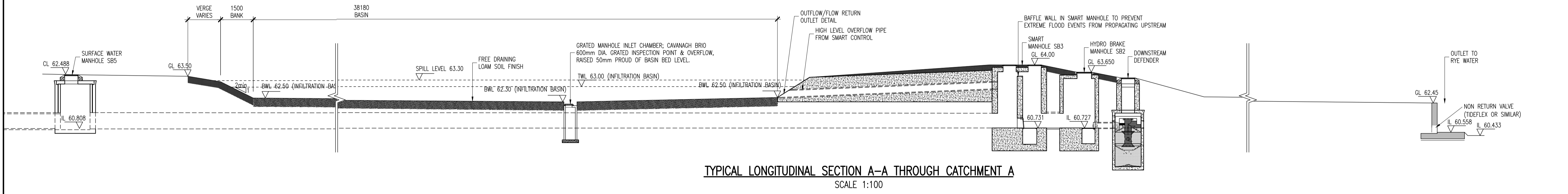
PLAN GA OF SMALL HEADWALLS (INTERCEPTOR DRAINS)
SCALE 1:25



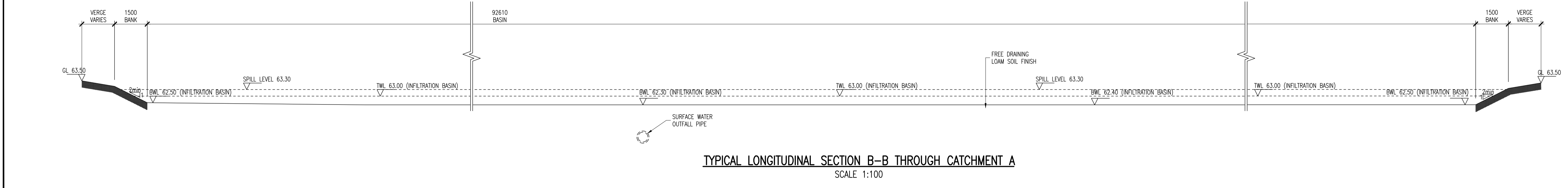
ELEVATION
SCALE 1:25



SECTION THROUGH SMART MANHOLE S1A
SCALE 1:25



TYPICAL LONGITUDINAL SECTION A-A THROUGH CATCHMENT A
SCALE 1:100



TYPICAL LONGITUDINAL SECTION B-B THROUGH CATCHMENT A
SCALE 1:100

© COPYRIGHT OF THIS DRAWING IS RESERVED BY DBFL CONSULTING ENGINEERS. NO PART SHALL BE REPRODUCED OR TRANSMITTED WITHOUT THEIR WRITTEN PERMISSION.

ON ORIGINAL

NOTES:

- ALL DRAWINGS TO BE CHECKED BY CONTRACTOR ON SITE AND ENGINEER INFORMED OF DISCREPANCIES BEFORE WORK COMMENCES
- ALL LEVELS ARE IN METRES AND ARE RELATED TO ORDNANCE DATUM. CO-ORDINATES RELATE TO TM
- CONTRACTOR SHALL SATISFY HIMSELF AS TO THE ACCURACY OF PAVEMENT LEVELS ON SITE PRIOR TO COMMENCEMENT OF WORKS ON SITE
- ALL SURFACE WATER SEWERS TO BE CLASS H CONCRETE TO EN1916 & IS 6 2004.

LEGEND:

- F1 FOUL SEWER
- S1 SURFACE WATER SEWER
- ROAD GULLY
- PROPOSED ROAD LEVEL
- EXISTING LEVELS

PT	17/12/19	PLANNING ISSUE	PJC	BCM
REV	DATE	DESCRIPTION	BY	CHKD
STAGE 2 - PLANNING				
DESIGNED	BCM	PREPARED	PJC	
DATE	OCT 2019	CHECKED	DJR	

DBFL Dublin Office: Ormond House, Upper Ormond Quay, Dublin 7, Ireland. PHONE: +353 1 400 4000 FAX: +353 1 400 4050
Waterford Office: Unit 2, The Chandlers, 1-2 O'Connell Street, Waterford, Ireland. PHONE: +353 51 308 500 FAX: +353 51 844 913

DBFL Consulting Engineers email: info@dbfl.ie site: www.dbfl.ie

PROJECT
NEWTOWNMOYAGHY SHD

DRG. TITLE
CATCHMENT ATTENUATION A

CLIENT
MCGARRELL REILLY

SCALE	AS SHOWN @A1	FILE REF.	190009-DBFL-XX-XX-DR-C-3014
DRG. NO.	190009-DBFL-XX-XX-DR-C-3014		P1